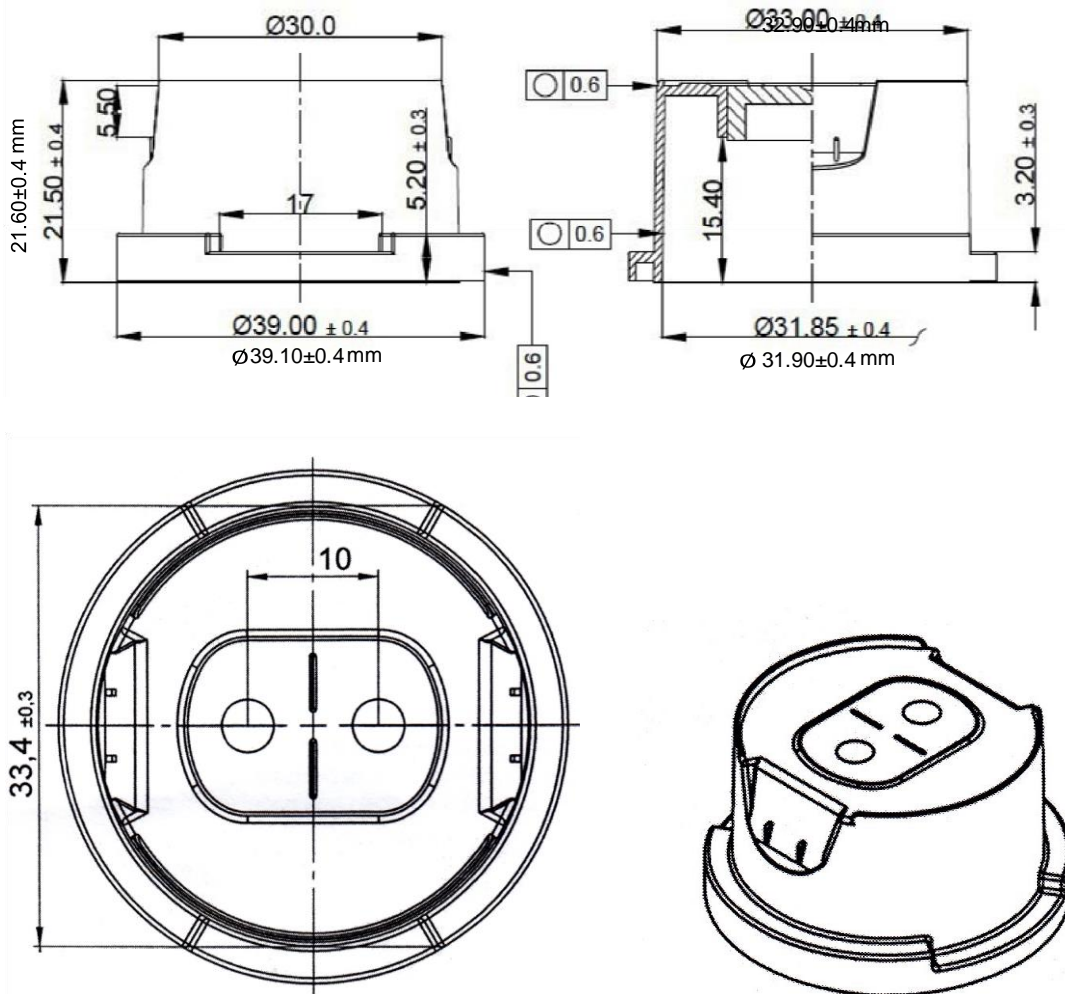


COMPONENT DRAWING



Typical Drawing for PP Foil Caps